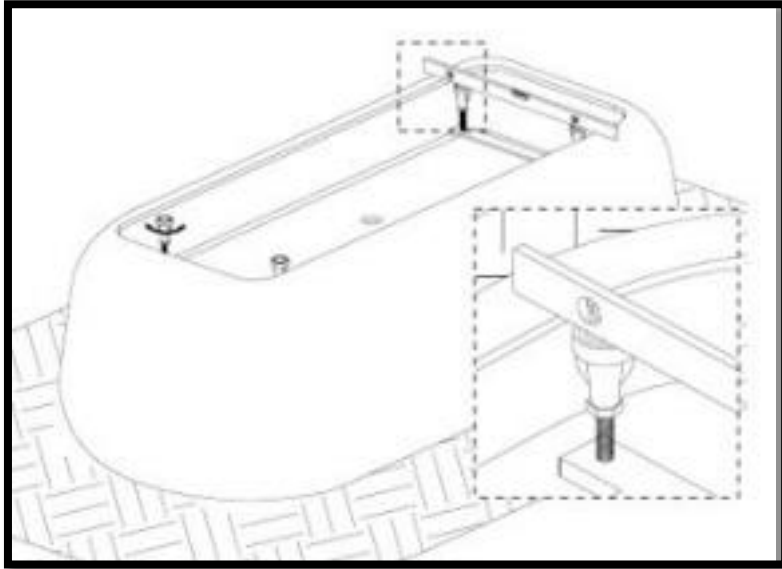
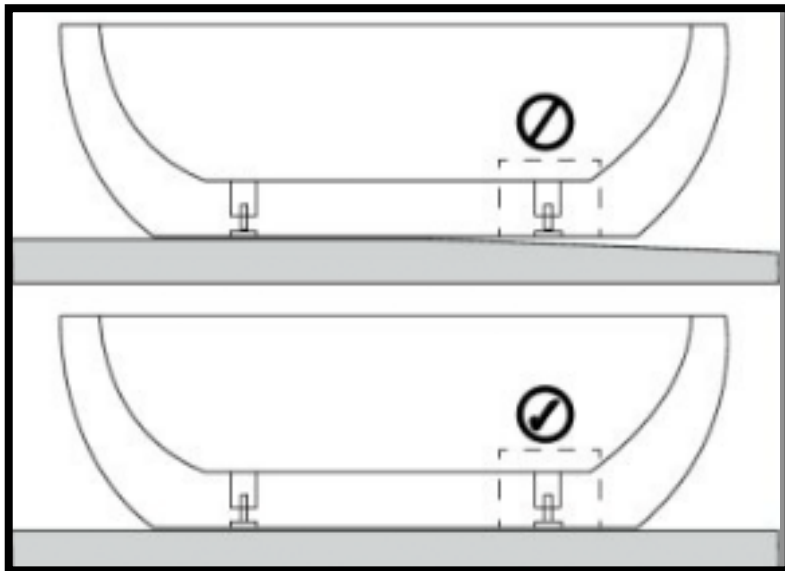


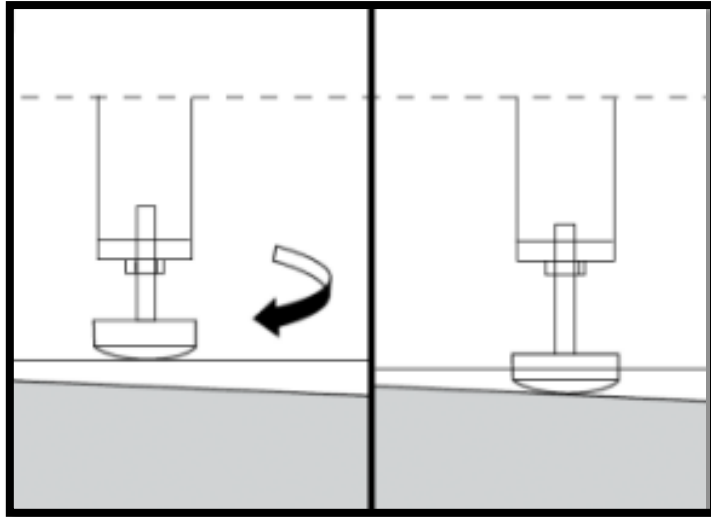
Freestanding Bath Installation Instructions



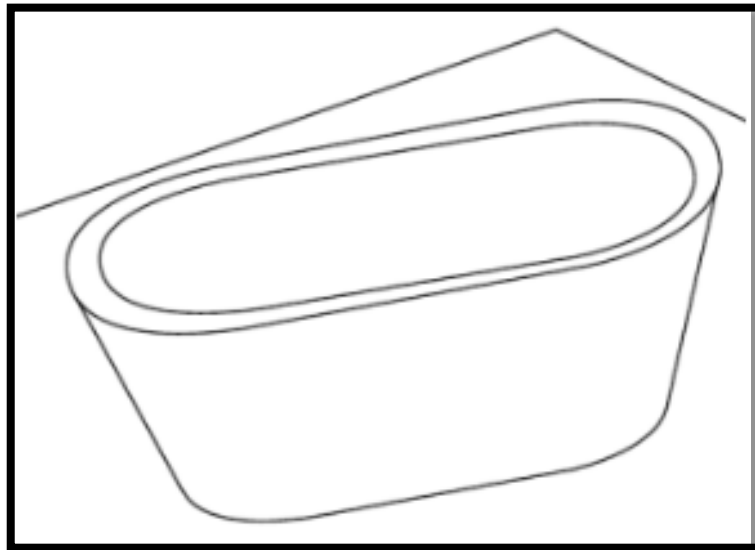
- Step 1** Ensure legs are adjusted in line with the base of bath. Assemble the bath on a mat to ensure against any damage.



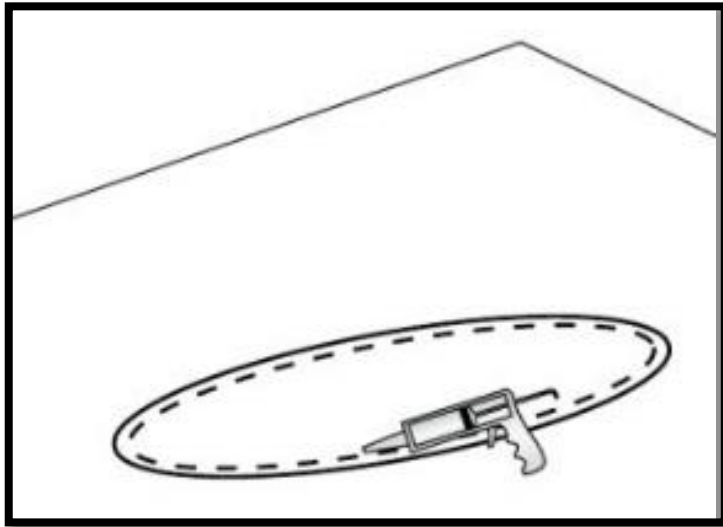
- Step 2** Check that the bath sits flat; if required, adjust legs to compensate for floor level.



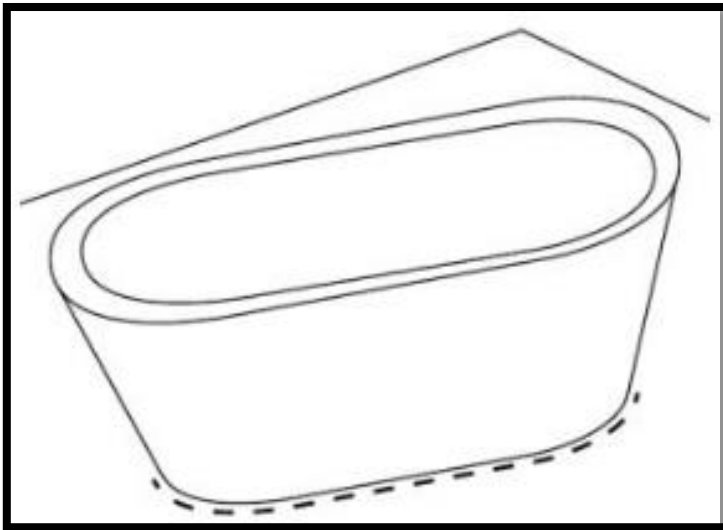
Step 3 Before step 4 set waste connection in position.



Step 4 With a pencil, trace the outline of the bath.



Step 5 Apply a thick bead of silicone within bath outline. Use the appropriate silicone for the surface type.



Step 6 Set bath in final position. Allow 24 hours to set. Do not use within this time.